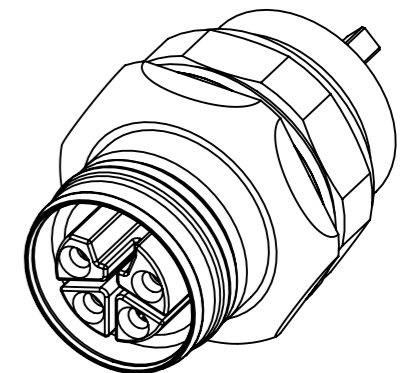
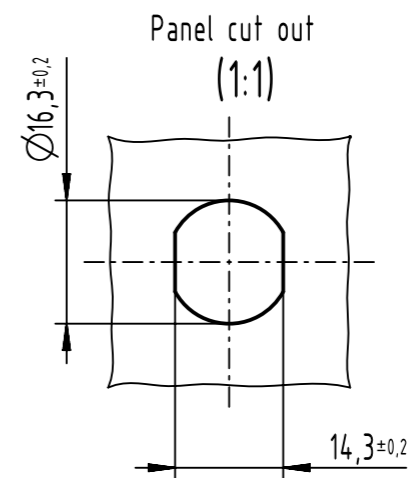
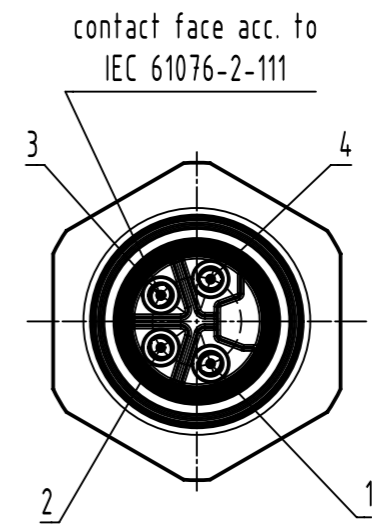
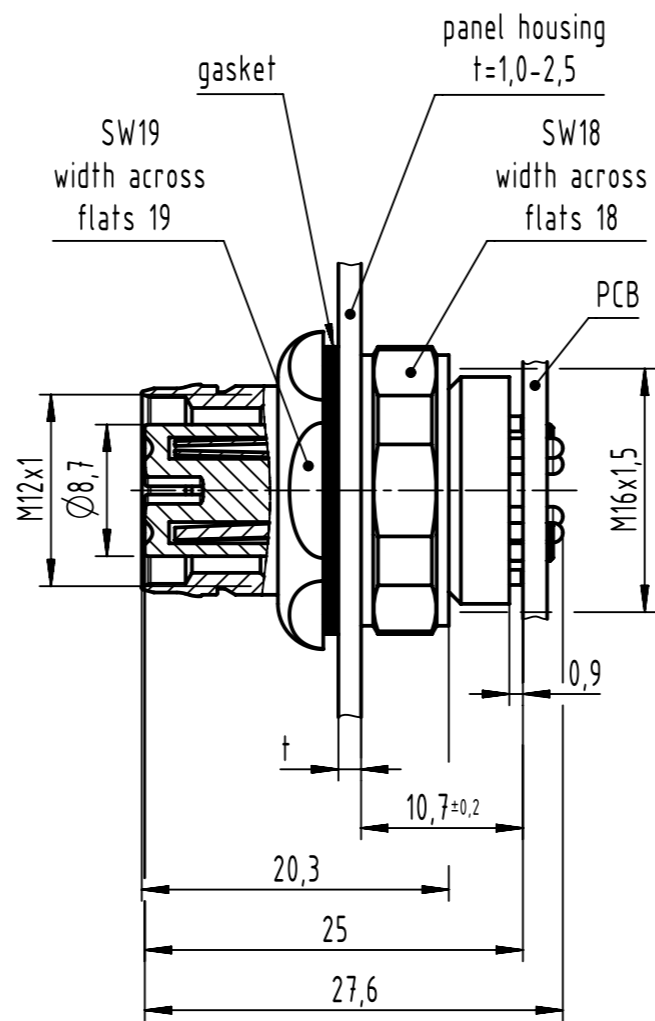
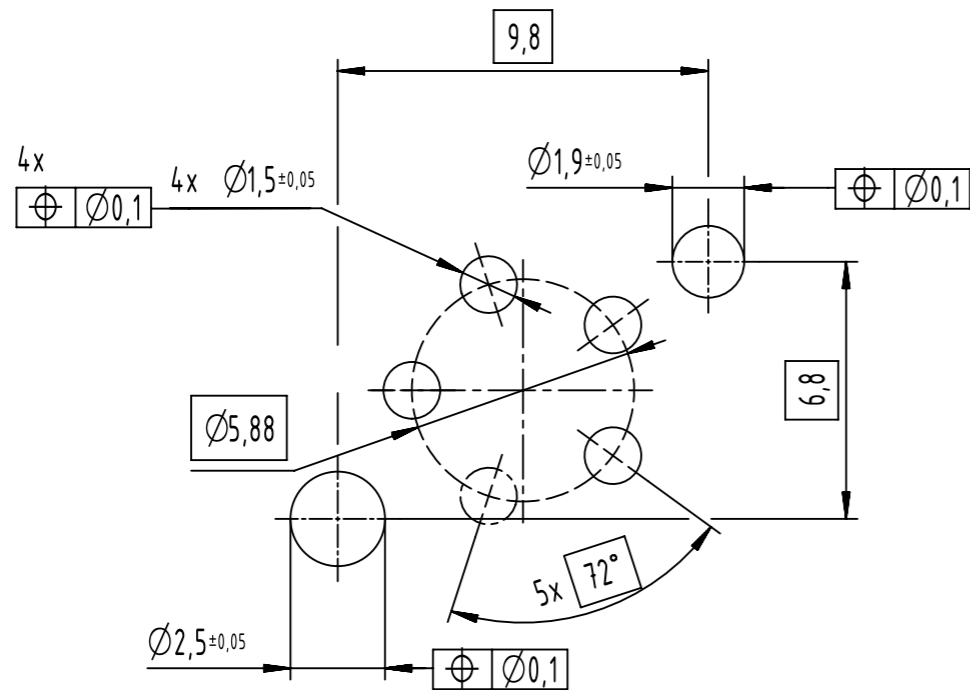


A (5:1)
recommended PCB-layout



	All Dimensions in mm Original Size DIN A3		Scale 2:1	Free size tol.		Ref.	
	All rights reserved Department EL PD		Created by BALSAN	Inspected by FARCASIU	Standardisation ROEBEN	Date 2022-06-17	State Final Release
HARTING D-32339 Espelkamp		Title M12 power PCB receptacle female L-coded w/o FE front				Doc-Key / ECM-Nr. 100747772/UGD/000/F 500000202494	
		Type TB	Number 21033962532			Rev. F	Page 1/1